

PARALLEL ARCHITECTURAL PRODUCTS

TRASH ENCLOSURE

PARALLELAP.COM

GENERAL NOTES:

PREPARED BY:



2750 S. RARITAN STREET ENGLEWOOD, CO 80110

This plan has been prepared solely for benefit of the person(s) named above and for project noted on this drawing. The use of this plan by any third party, or for any other purpose other than specified, is prohibited without written consent from Parallel.

DATE ISSUED: 00/00/2024

PLAN REVISIONS

NO.	DATE	DESCRIPTION

PROJECT NAME:

PARALLEL - SHOP DWGS

DRAWING NAME:

TITLE SHEET

PROJECT NO: 000 DRAWING NO: T-100

PAGE NO: 1 OF 2

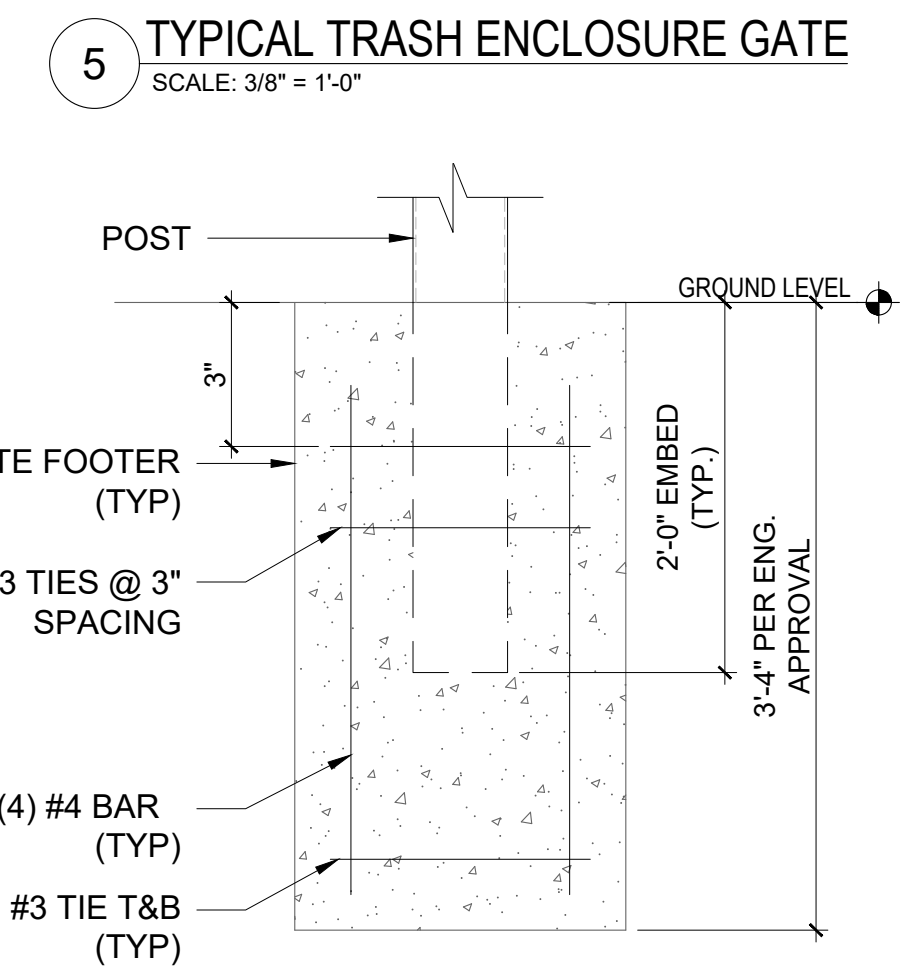
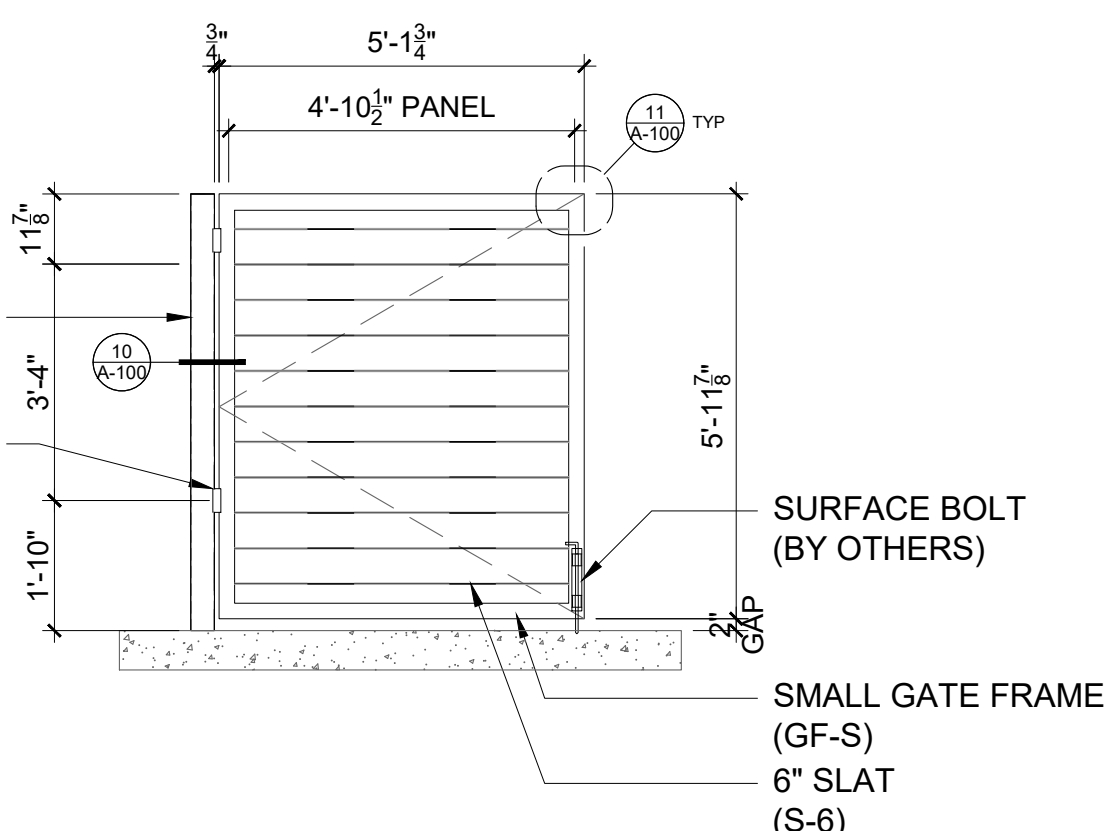
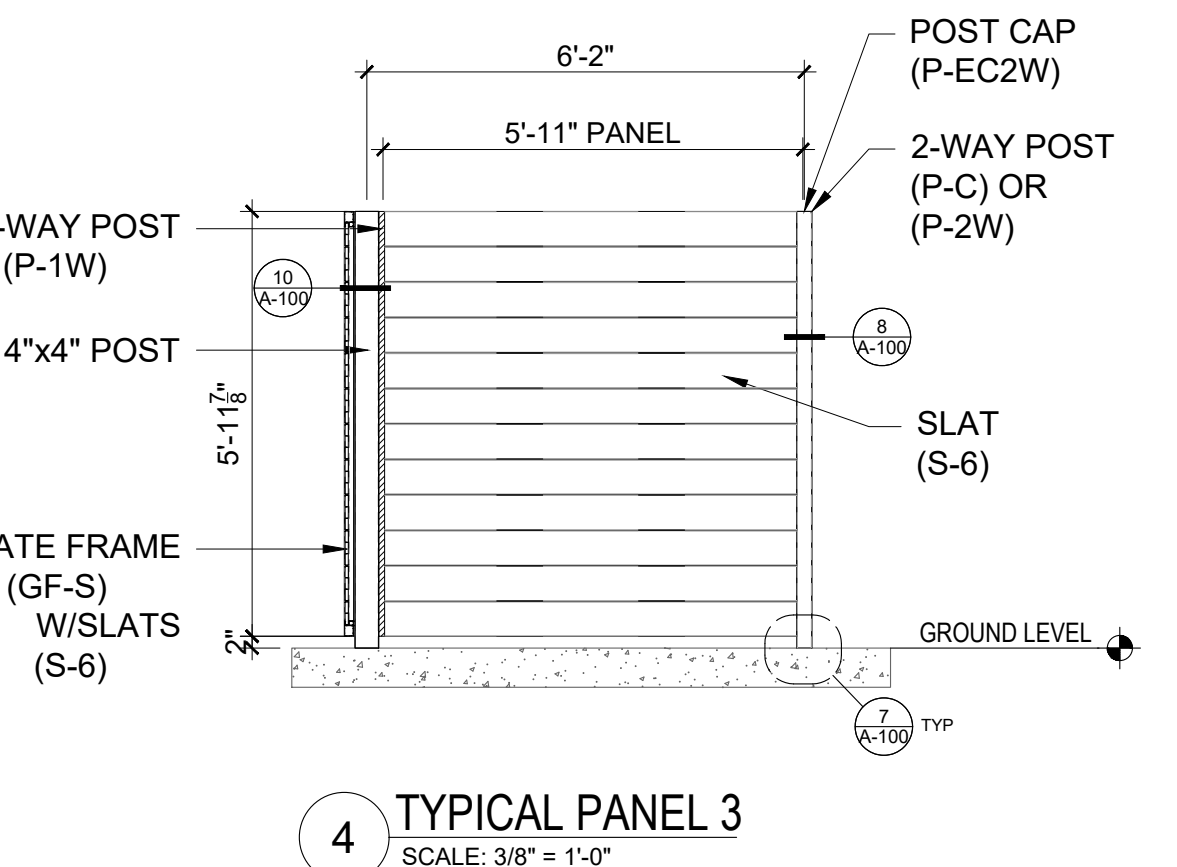
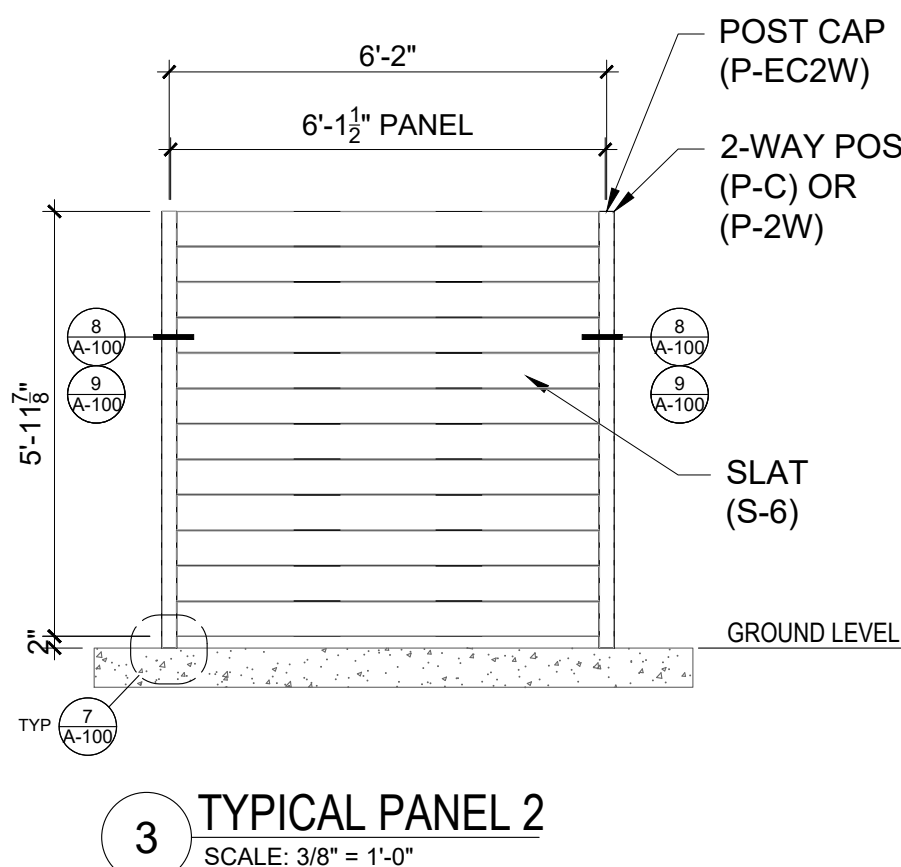
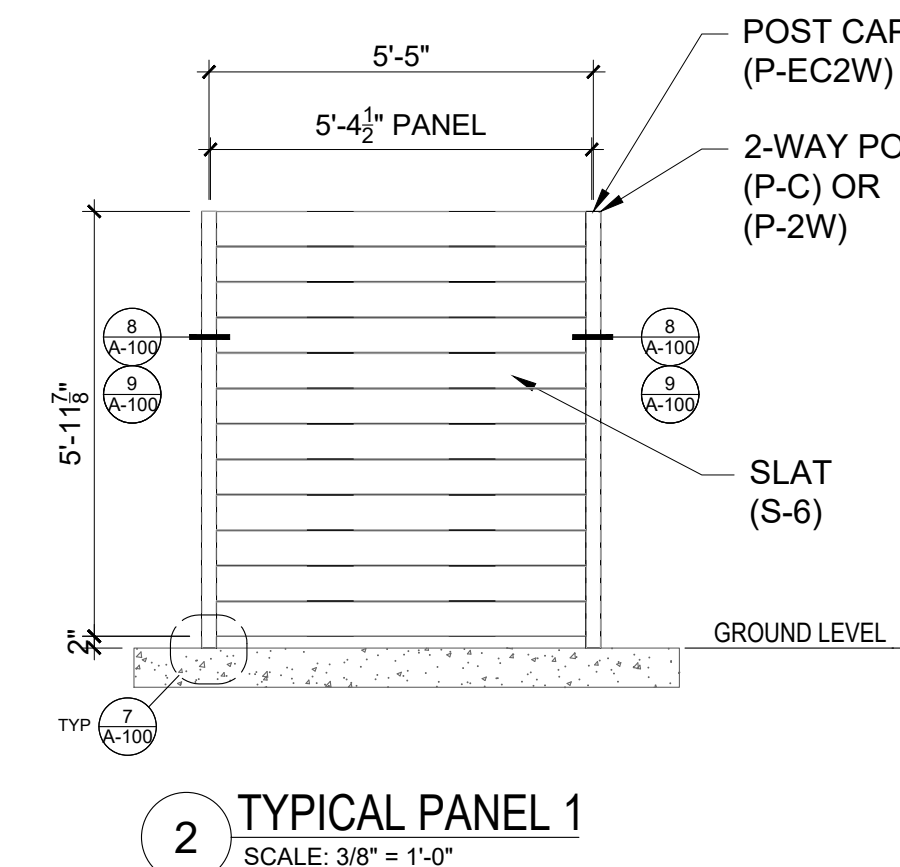
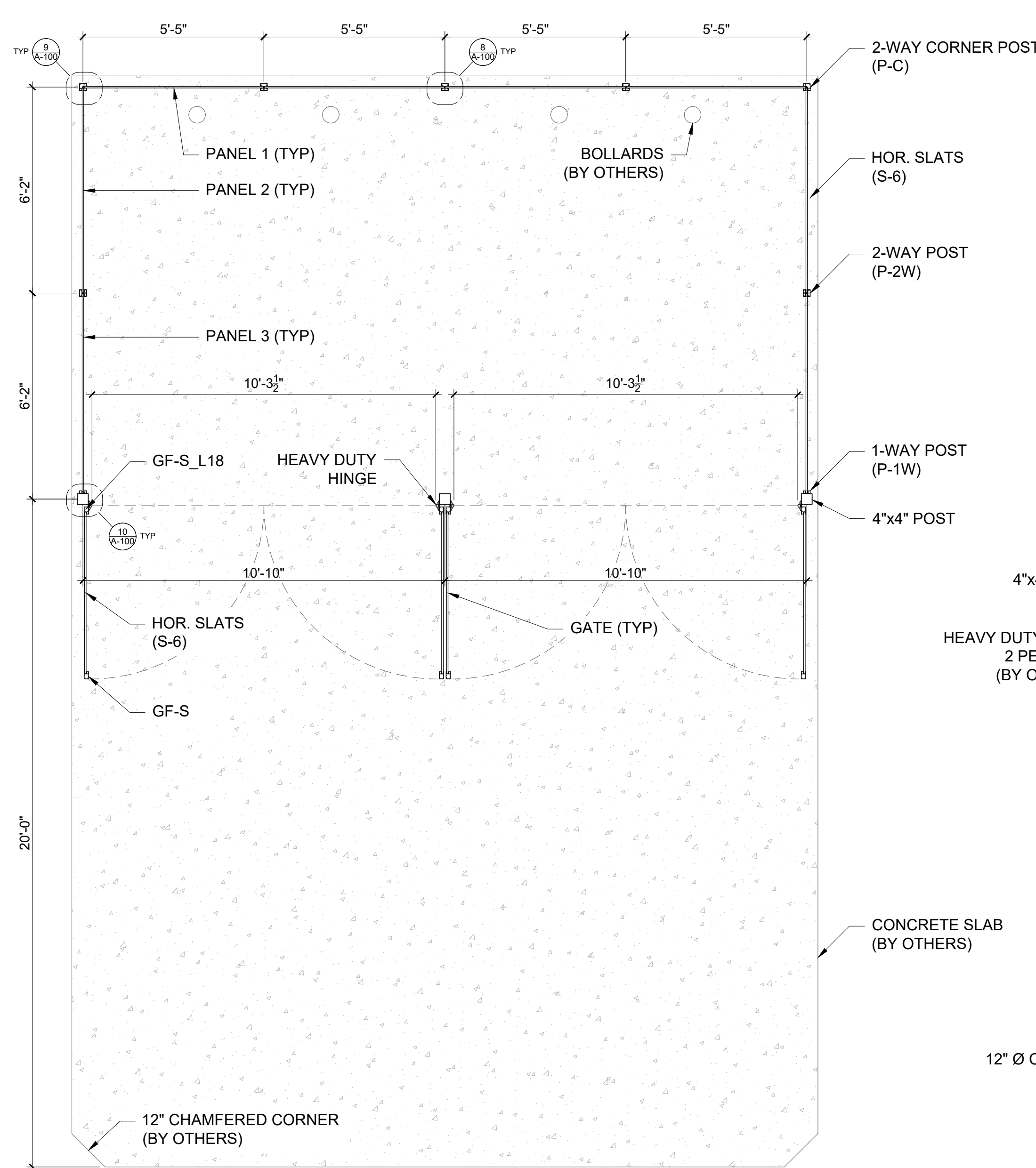
PROPERTY MANAGER

DESIGN ENGINEER

ABBREVIATIONS

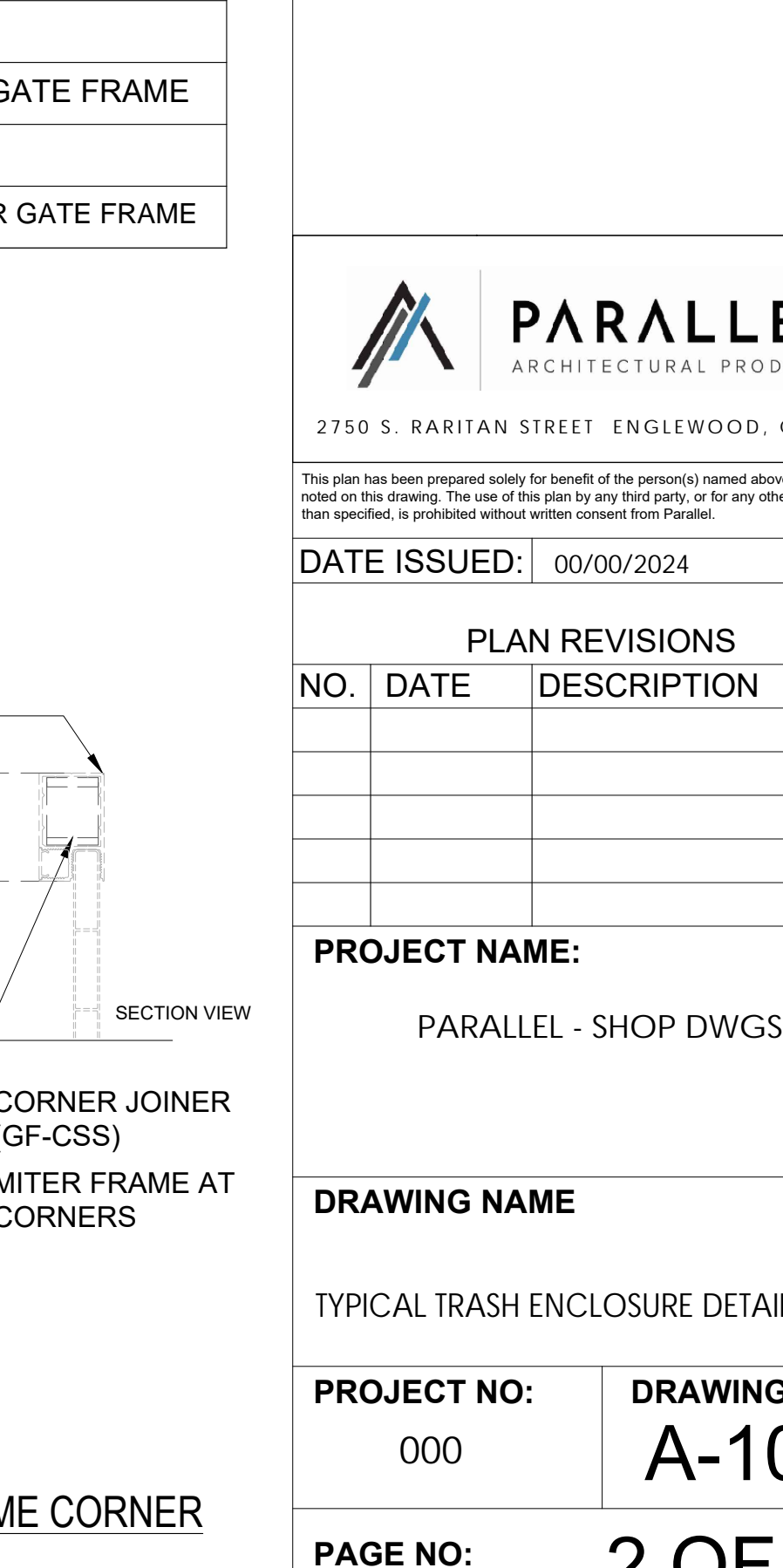
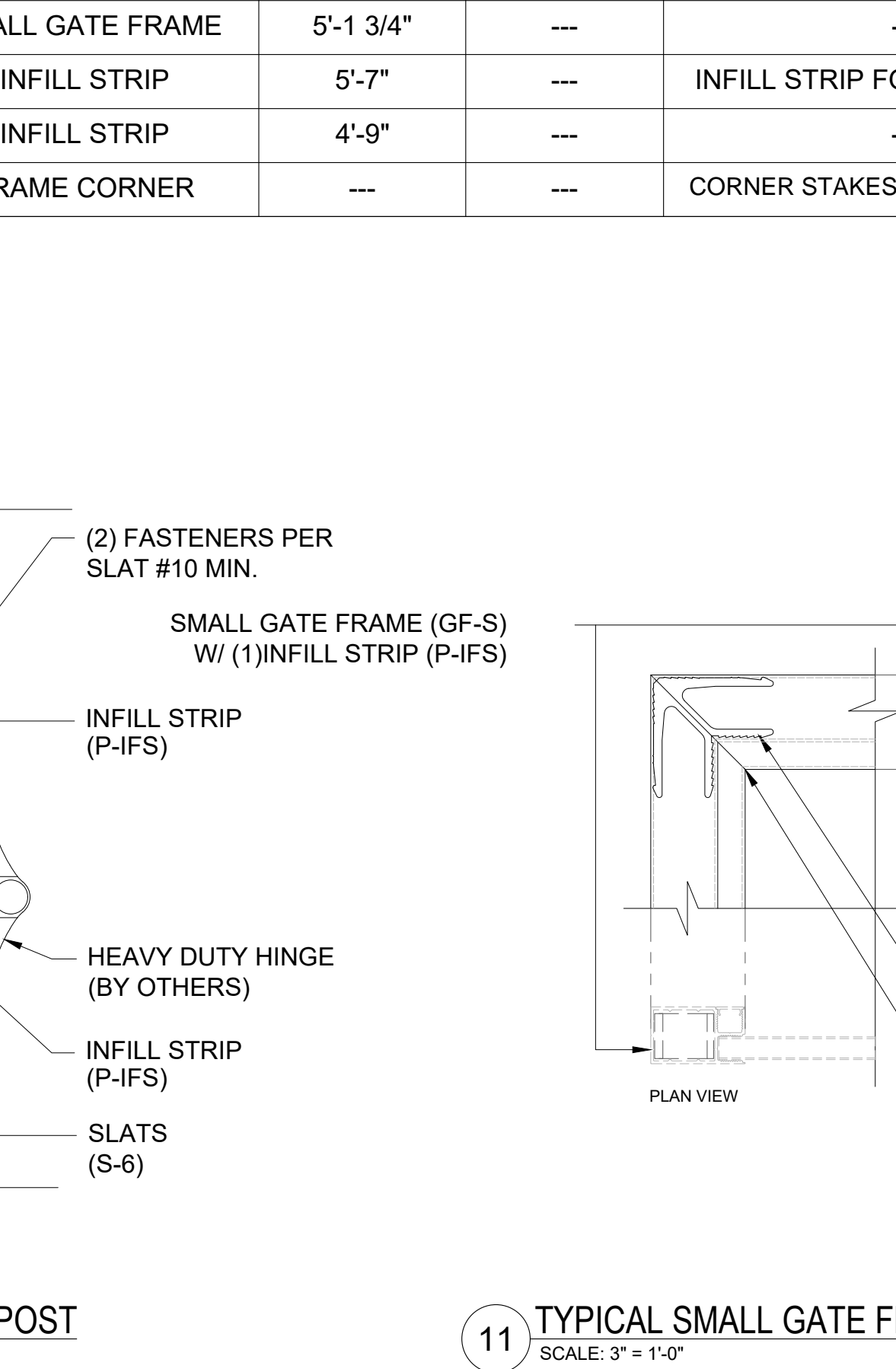
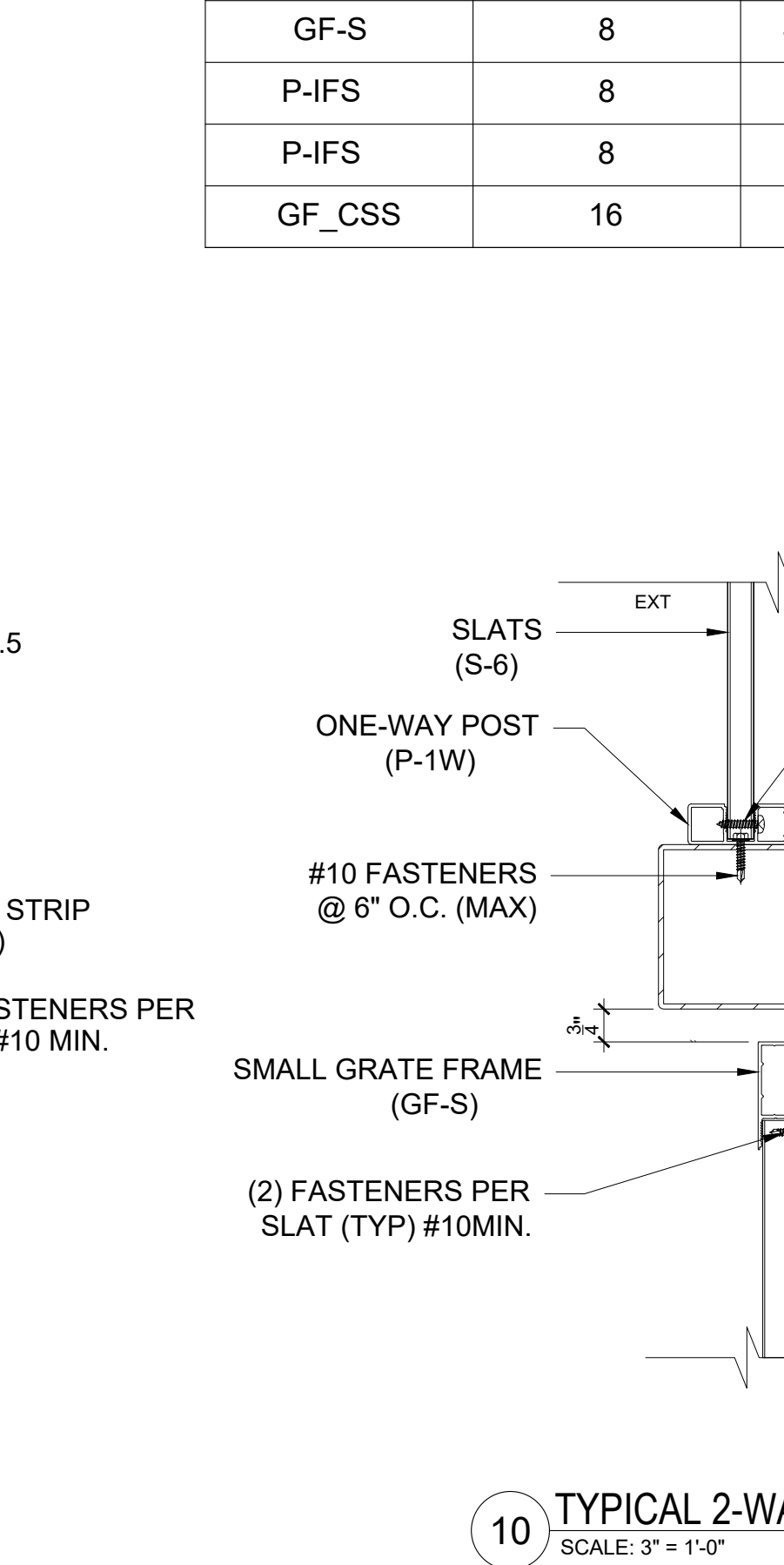
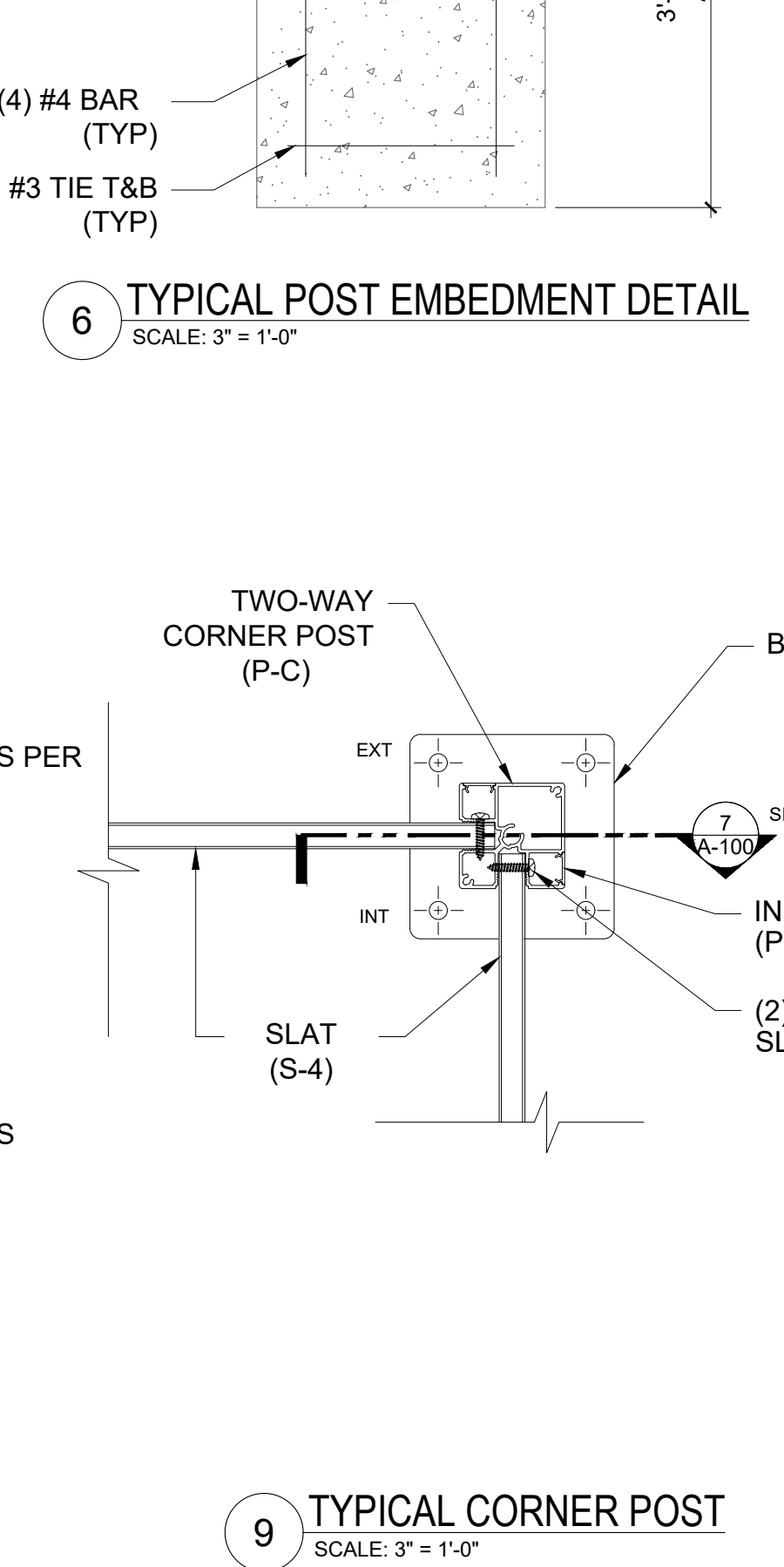
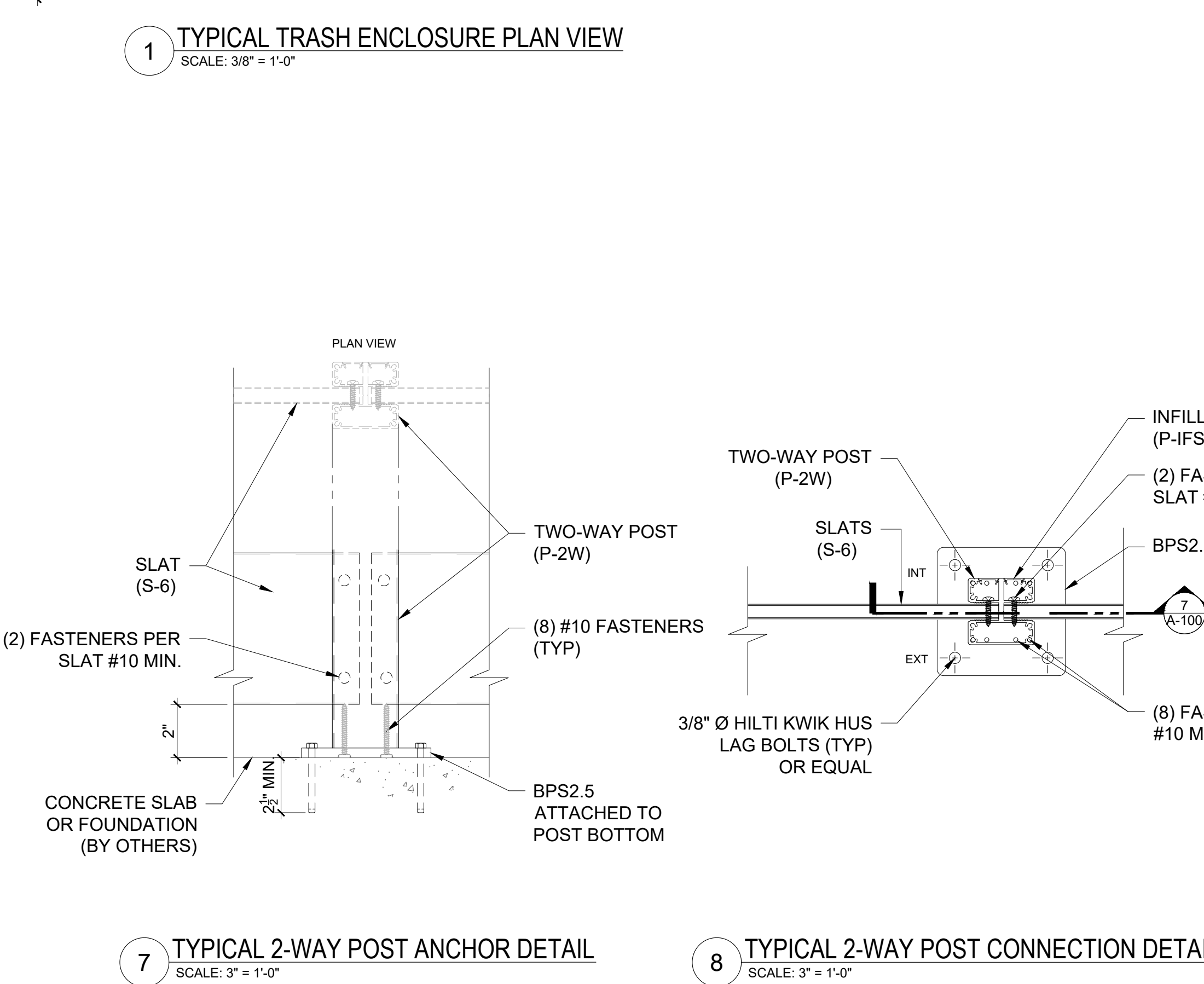
- | | | |
|----------------------------|--------------------------|--------------------------|
| AFF = AT FINISH FLOOR | FP = FACE OF PANEL | PG = PANEL GRID |
| AR = ARCHITECTURAL REF | FR = FACE OF RETURN | P.JT = PANEL JOINT |
| B.O. = BOTTOM OF | FSG = FACE OF SUB GIRT | PL = PANEL LENGTH |
| BP = BOTTOM OF PANEL | GA = GAGE | PNL = PANEL |
| ¢ = CENTERLINE | GD = GRAIN DIRECTION | REF = REFERENCE |
| CONT = CONTINUOUS | GR = GRID | REQ'D = REQUIRED |
| CW = CURTAIN WALL | HOR = HORIZONTAL | RD = REFERENCE DIMENSION |
| DIA = DIAMETER | HP = HIGH POINT | RO = ROUGH OPENING |
| DLO = DAYLIGHT OPENING | INSUL = INSULATION | SG = SUB GIRT |
| DO = DOOR OPENING | LO = LOUVER OPENING | SO = STRETCH OUT |
| ELEV = ELEVATION | LP = LOW POINT | SUPP = SUPPORT |
| EP = EDGE OF PANEL | LS = LOUVER SIZE | TBD = TO BE DETERMINED |
| FB = FACE OF BRICK | MAX = MAXIMUM | T.O. = TOP OF |
| FC = FACE OF CONCRETE | MIN = MINIMUM | TP = TOP OF PANEL |
| FCW = FACE OF CURTAIN WALL | NBPRL = NOT BY PARALLEL | TYP = TYPICAL |
| FE = FACE OF EXTRUSION | NP = NOT PAINTED | VERT = VERTICAL |
| FF = FACE OF FOLD | NTS = NOT TO SCALE | VIF = VERIFY IN FIELD |
| FFLASH = FACE OF FLASHING | O.A.FR.= OVERALL FRAME | WD = WINDOW DIMENSION |
| FGB = FACE OF GYPSUM BOARD | O.C. = ON CENTER | WP = WORKING POINT |
| FOS = FACE OF STEEL | OD = OPENING/OVERALL DIM | |

DRAWING LIST	LATEST REVISION	DATE
T-100 - TITLE SHEET		
A-101 - TRASH ENCLOSURE FP, ELEVATIONS & DETAILS		



4" FENCE POST DESIGN LOADS AND SPACING				
ULTIMATE WIND SPEED	SPACING	HEIGHT	FOOTER DIAMETER	MIN. DEPTH
115 MPH	11'-0" MAX	6'-0" MAX	12"	42" OR MIN. FROST DEPTH

BILL OF MATERIALS					
PART NUMBER	QTY	DESCRIPTION	LENGTH	MATERIAL	REMARKS
P-2W	5	2-WAY POST	6'-1"	6061-T6	---
P-C	2	CORNER POST	6'-1"	---	---
P-1W	2	1-WAY POST	6'-1"	---	---
P-IFS	16	INFILL STRIP	6'-1"	---	INFILL STRIP FOR POSTS
BPS2.5	7	BASE PLATE	---	---	---
P-EC2W	7	POST CAP	---	---	2.5x2.5 POST CAPS
P-EC1W	2	POST CAP	---	---	2.5x2.5 POST CAPS
P-SH4X4	3	4x4 POST	9'-7"	A500	---
P-EC4	3	POST CAP	---	---	4x4 POST CAPS
S-6	48	6" SLATS	5'-4 1/2"	6061-T6	---
S-6	48	6" SLATS	6'-1 1/2"	---	---
S-6	48	6" GATE SLATS	4'-10 1/2"	---	---
GF-S	8	SMALL GATE FRAME	6'-0"	---	---
GF-S	8	SMALL GATE FRAME	5'-1 3/4"	---	---
P-IFS	8	INFILL STRIP	5'-7"	---	INFILL STRIP FOR GATE FRAME
P-IFS	8	INFILL STRIP	4'-9"	---	---
GF_CSS	16	FRAME CORNER	---	---	CORNER STAKES FOR GATE FRAME



GENERAL NOTES:

PREPARED BY:

DATE ISSUED: 00/00/2024

PLAN REVISIONS		
NO.	DATE	DESCRIPTION

PROJECT NAME:
PARALLEL - SHOP DWGS

DRAWING NAME:
TYPICAL TRASH ENCLOSURE DETAILS

PROJECT NO: 000	DRAWING NO: A-100
PAGE NO: 2 OF 2	

File Name: J:\Parallel\2024 Parallel Standards\TRASH ENCLOSURE_CGH.dwg
Plot Date: Monday, April 22, 2024 5:49:07 PM
Plotted By: Cristina Garcia



2750 S. RARITAN STREET ENGLEWOOD, CO 80110

This plan has been prepared solely for benefit of the person(s) named above and for project noted on this drawing. The use of this plan by any third party, or for any other purpose other than specified, is prohibited without written consent from Parallel.