



General Specifications:

Composition:

6063-T5 Aluminum Extrusions

Coating:

Interpon Powder Coat AAMA 2604

Finish:

Wood Grain Sublimation AAMA 2604

Fire:

ASTM E84

Warranty:

15 Years

Benefits:

100% Recyclable

Made in USA

Features:

Assembly:

Two-Piece Profile(s) and End Cap(s)

Orientations:

Horizontal, Vertical, Diagonal

Sizes:

2x4", 2x6", and 2x8"

20' Standard Production Lengths

Design:

Two-Piece, Self-Mating Tubes w/ concealed fasteners

Colors:

35+ Woodgrain Colors, 10+ Solid Colors

Custom color creation + color matching available

Installation:







Cut & Fasten (Dual Orientation Option)

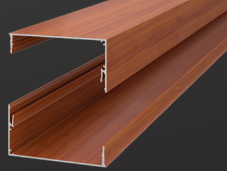
Additional Systems:

Cladding, Soffit, Fencing, Screening, Gates, Railings, Enclosures, Pergolas





		<p>B-2x4</p>	<p>2" x 4" Triple-Lock Batten 4" x 2" x 20'</p>
		<p>B-2x6</p>	<p>2" x 6" Triple-Lock Batten 6" x 2" x 20'</p>
		<p>B-2x8</p>	<p>2" x 8" Triple-Lock Batten 8" x 2" x 20'</p>



2" X 4" SELF-MATING BATTEN STOCK ITEM

General Specifications:

Imperial Size:

4" x 2" x 20'

Material Thickness:

0.070" / 1.778mm

Applications:

Pergolas / Screening / Facades

Extrusion Weight:

11.8 lbs (per piece)

Weight per LF:

0.59 lbs

Features:

Assembly:

Two-Piece Profile(s) and End Cap(s)

Install Orientations:

Horizontal, Vertical, Diagonal

Sizes:

20' Standard Production Lengths

Design:

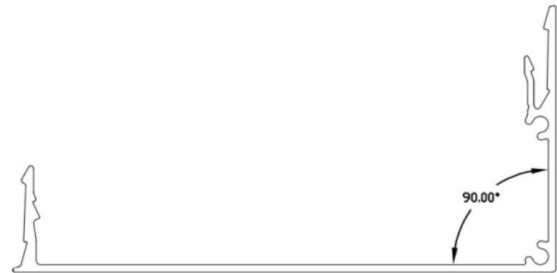
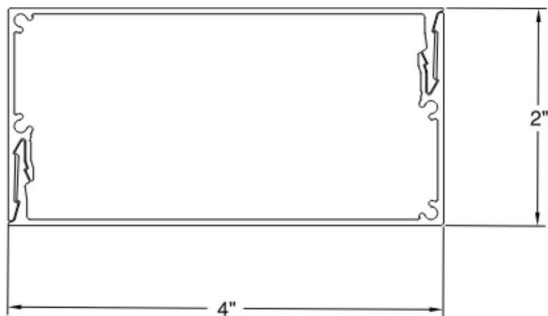
Two-Piece, Self-Mating Tubes w/ concealed fasteners

Colors:

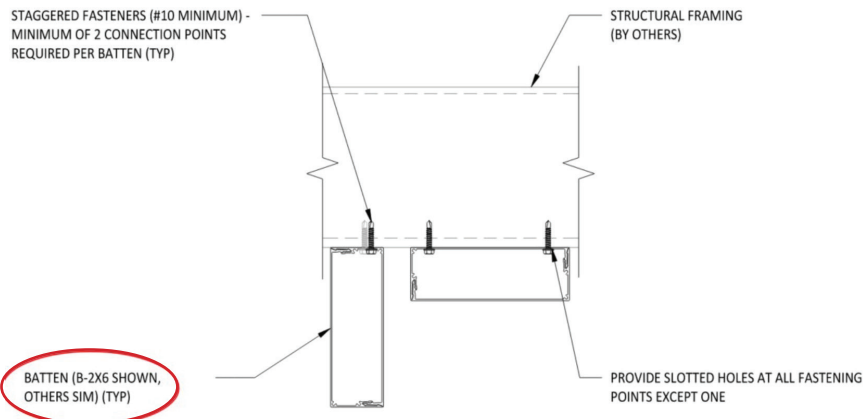
35+ Woodgrain Colors, 10+ Solid Colors

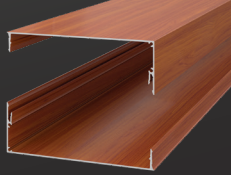
Custom color creation + color matching available

B-2x4 mates with another B-2x4:
Interlocking corners snap together to create a 2-piece tube



Self-mating battens can be installed on either face of the profile





2" X 6" SELF-MATING BATTEN STOCK ITEM

General Specifications:

Imperial Size:

6" x 2" x 20'

Material Thickness:

0.070" / 1.778mm

Applications:

Pergolas / Screening / Facades

Extrusion Weight:

15.04 lbs (per piece)

Weight per LF:

0.752 lbs

Features:

Assembly:

Two-Piece Profile(s) and End Cap(s)

Install Orientations:

Horizontal, Vertical, Diagonal

Sizes:

20' Standard Production Lengths

Design:

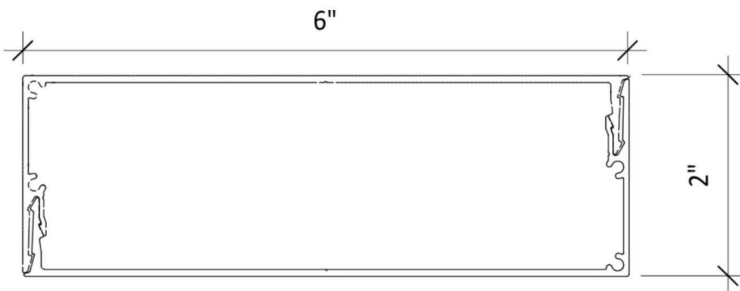
Two-Piece, Self-Mating Tubes w/ concealed fasteners

Colors:

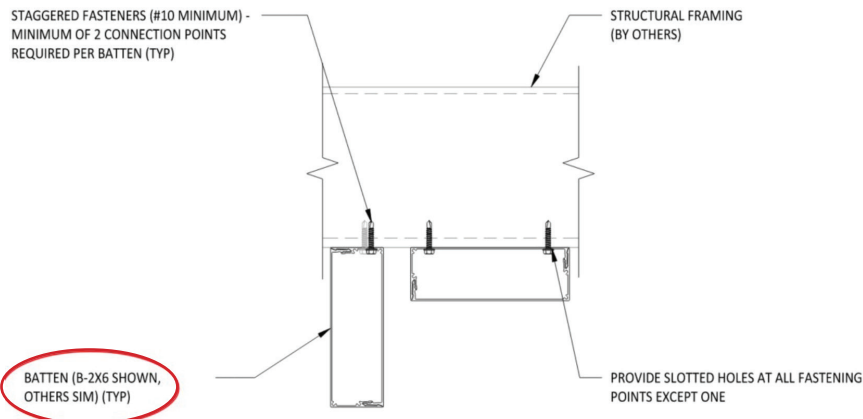
35+ Woodgrain Colors, 10+ Solid Colors

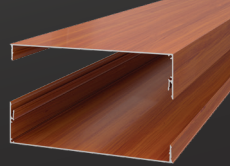
Custom color creation + color matching available

B-2x6 mates with another B-2x6:
Interlocking corners snap together to
create a 2-piece tube



Self-mating battens can be installed
on either face of the profile





2" X 8" SELF-MATING BATTEN STOCK ITEM

General Specifications:

Imperial Size:

8" x 2" x 20'

Material Thickness:

0.090" / 2.286mm

Applications:

Pergolas / Screening / Facades

Extrusion Weight:

22.06 lbs (per piece)

Weight per LF:

1.103 lbs

Features:

Assembly:

Two-Piece Profile(s) and End Cap(s)

Install Orientations:

Horizontal, Vertical, Diagonal

Sizes:

20' Standard Production Lengths

Design:

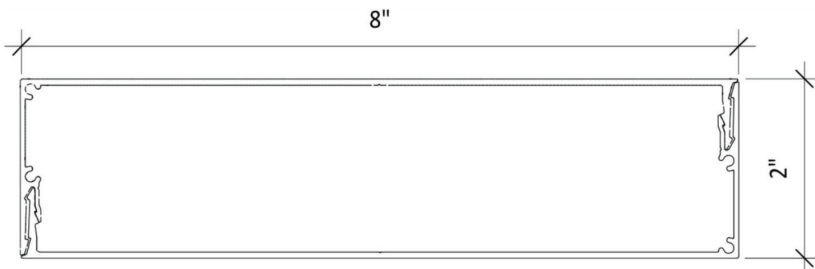
Two-Piece, Self-Mating Tubes w/ concealed fasteners

Colors:

35+ Woodgrain Colors, 10+ Solid Colors

Custom color creation + color matching available

B-2x8 mates with another B-2x8:
Interlocking corners snap together to
create a 2-piece tube



Self-mating battens can be installed
on either face of the profile

